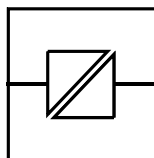


MD-52 AC  
MD-52 DC

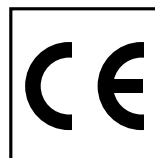
<sup>®</sup>  
**WESTERMO**

# INSTALLATIONSANVISNING INSTALLATION MANUAL INSTALLATIONS ANLEITUNG

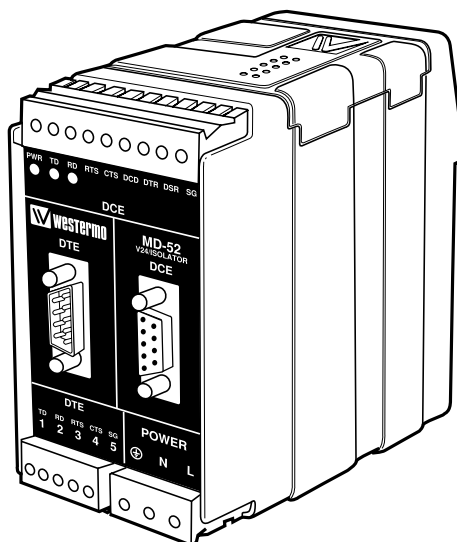
6601-2001



Galvanic  
Isolation



CE  
Approved



*V.24 Isolator*

 **westermo**<sup>®</sup>  
[www.westermo.se](http://www.westermo.se)

## Specifications

<b>Transmission</b>	Asynchronous, full duplex
<b>Interface A (DCE)</b>	EIA RS-232-C/CCITT V.24/V.28, 9-pin D-sub female, 9-pin screw block
<b>Interface B (DTE)</b>	EIA RS-232-C/CCITT V.24/V.28, 9-pin D-sub male, 5-pin screw block
<b>Transmission rate</b>	Up to 115 200 bit/s (asynchronous)
<b>Indicators</b>	Power, TD, RD
<b>Isolation</b>	Complete galvanic isolation with opto-coupler (data transmission) or transformer (power supply)
<b>Isolation voltage</b>	1500 V rms
<b>Overvoltage protection</b>	<b>Mains:</b> Breakdown voltage 440V at 230V AC and 220V at 115V AC
<b>Power supply</b>	230 V AC, +15%–10%, 48–62 Hz, 12–36 V DC (MD-52 DC)
<b>Power consumption</b>	Max 17mA at 230V AC, max 1W (MD-52 DC)
<b>Temp/humidity range</b>	Temp: 5–50°C, ambiente temperature/Humidity:
<b>Humidity</b>	0-95% RH, without condensation
<b>Dimension</b>	55x100x128 mm
<b>Weight</b>	0.5 kg (AC models), 0.4 kg DC model
<b>Mounting</b>	At 35 mm DIN-rail

# Connections MD-52

## Power supply AC

Connection	Description
L N PE	115/230V AC 48-62 Hz Protective Earth

## Power supply DC

Connection	Power supply
-	- Voltage
+	+ Voltage

## Terminal connection (RS-232-C/V.24, 9-pin D-sub/screw connections)

Direction		Connection	9-pin screw connection	5-pin screw connection	CCITT V.24 Circuit no.	Description
DTE	DCE	9-pin D-sub				
→		3	8	1	103	TD/Transmitted Data
	←	2	7	2	104	RD/Received Data
→		7	6	3	105	RTS/ Request To Send
	←	8	5	4	106	CTS/ Clear To Send
	←	6	2	-	107	DSR/ Data Set Ready
	→	5	1	5	102	SG/Signal Ground
	←	1	4	-	109	DCD/Data Carrier Detect
	→	4	3	-	108/2	DTR/Data Terminal Ready

## Hints

If any problems occur on set up of the MD-52, the LED's will be helpful.

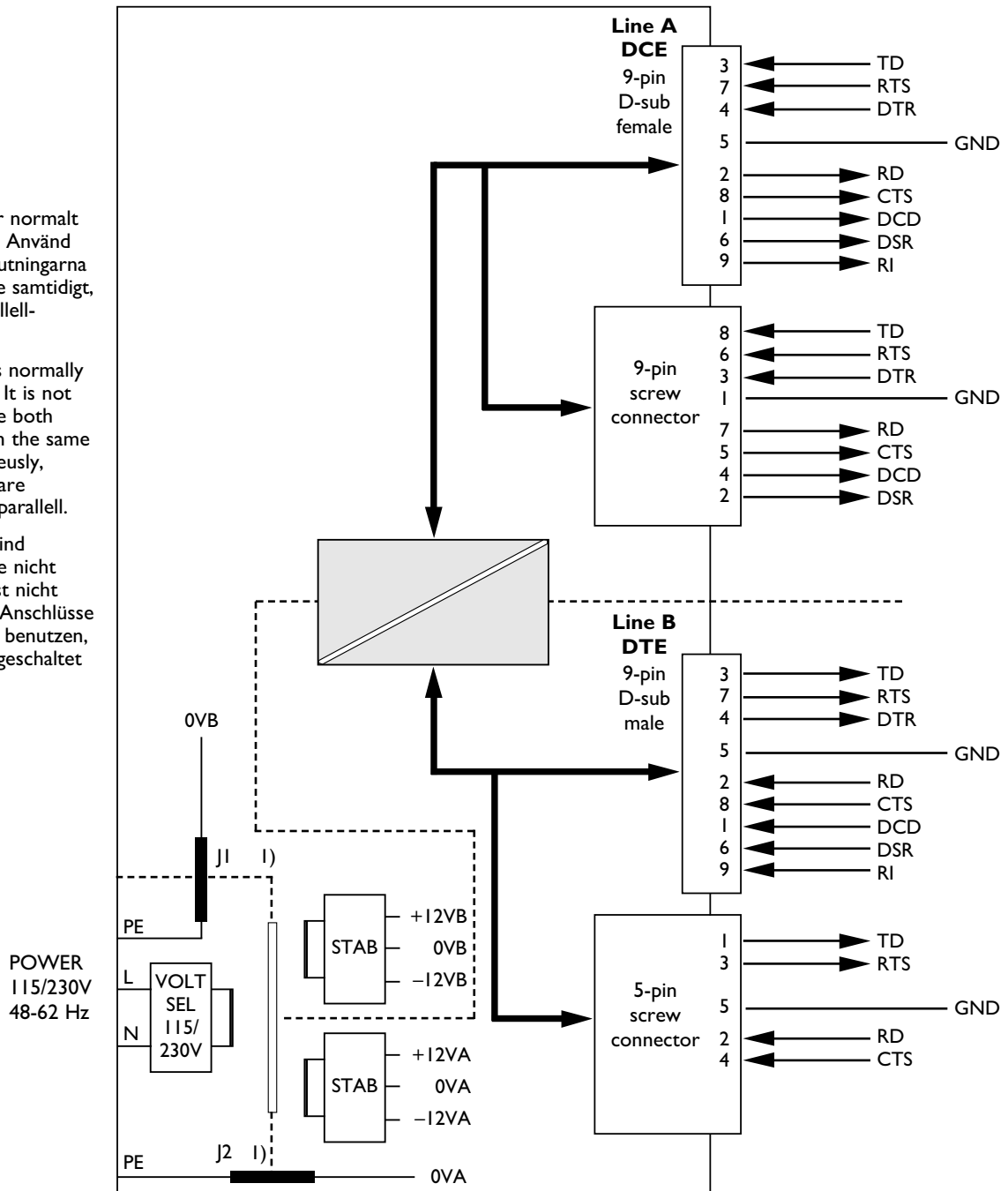
- PWR: The unit has power
- RD: Data received on line B (DTE) and data transmitted on line A (DCE)
- TD: Data transmitted on line B (DTE) and data received on A (DCE)

# Block diagram

1) J1 och J2 är normalt ej monterade. Använd inte båda anslutningarna på samma linje samtidigt, för de är parallellkopplade.

1) J1 and J2 is normally not mounted. It is not allowed to use both connectors on the same line simultaneously, because they are connected in parallel.

1) J1 und J2 sind normalerweise nicht bestückt. Es ist nicht erlaubt beide Anschlüsse gleichzeitig zu benutzen, da sie parallelschaltet sind.



Westermo Teleindustri AB have distributors in several countries, contact us for further information.



Westermo Teleindustri AB • S-640 40 Stora Sundby, Sweden  
Phone +46 16 612 00 Fax +46 16 611 80

E-mail: [info@westermo.se](mailto:info@westermo.se) • Westermo Web site: [www.westermo.se](http://www.westermo.se)

## Subsidiaries

Westermo Data Communications Ltd  
Solent Business Centre • Millbrook Road West  
Millbrook, Southampton • SO15 0HW  
Phone: +44(0)1703-704 611 • Fax: +44(0)1703 702 682  
E-Mail: [sales@westermo.co.uk](mailto:sales@westermo.co.uk)

Westermo Data Communications GmbH  
Bruchsaler Straße 18, 68753 Waghäusel  
Tel.: +49(0)7254-95400-0 • Fax: +49(0)7254-95400-9  
E-Mail: [westermo.germany@t-online.de](mailto:westermo.germany@t-online.de)