

# MA-49

## RS-232 to RS-422/485 Converter



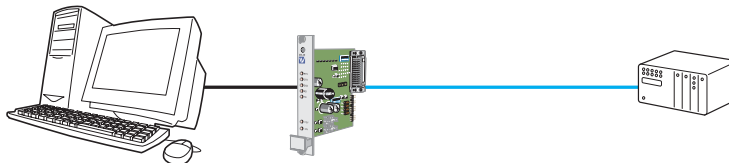
- Conversion between RS-232 and RS-422/485
- Communication direction controlled by RTS (2-wire)
- Galvanic isolation
- Full termination and failsafe switch selectable
- Transient suppression
- Code independent/transparent
- Ensures communication over long distances and in environments with high levels of interference
- Reliable performance and function
- Handles high levels of interference and exposed locations

### Field of application

MA-49 is used as an interface converter between RS-232 and RS-422/485 or when point-to-point communication is needed at data rates up to 115.2 kbit/s. The device can communicate on 2-wire or 4-wire cable up to 1200 metres (4000 ft). In multidrop applications the MA-49 supports up to 32 connected devices on the bus. With 2-wire systems the communication direction is controlled by the RTS signal from the connected equipment.

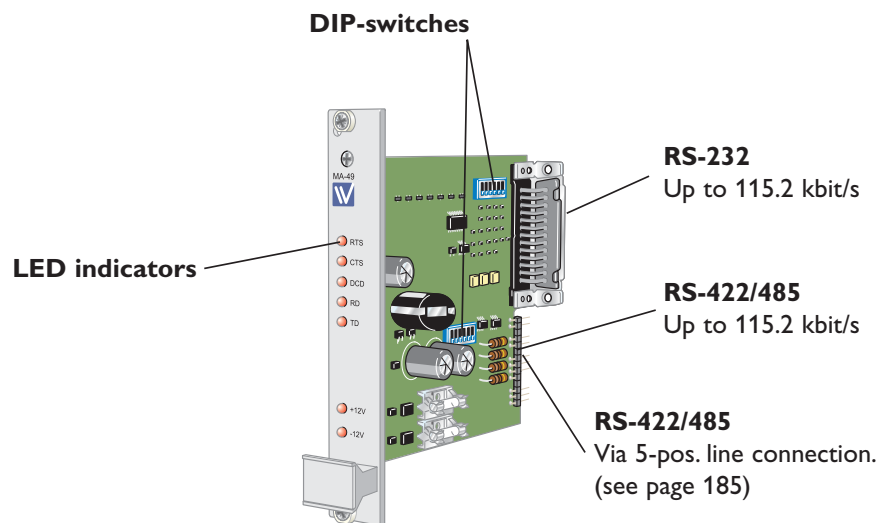
MA-49 is designed for installation in the Westermo rack (RV-01) which saves space when many modems are installed in the same location, for example, in a data processing centre. Greater transmission ranges or more connected devices on the bus are possible using one or more repeaters.

## Application



Also see application on page 55

## Interface



## Mechanical

|                    |                                  |
|--------------------|----------------------------------|
| Dimensions (H x D) | 100 x 100 mm<br>(3.94 x 3.94 in) |
| Weight             | 0.1 kg (0.22 lb)                 |
| Assembly           | Rack                             |

**NOTE!** Only nine MA-49 devices can be powered in an RV-01 with one PS-02.

## Power

|               |                        |
|---------------|------------------------|
|               | <b>RV-01 via PS-02</b> |
| Rated current | 60 mA                  |
| Connection    | PS-02                  |