

EDW-100

Serial Adapter

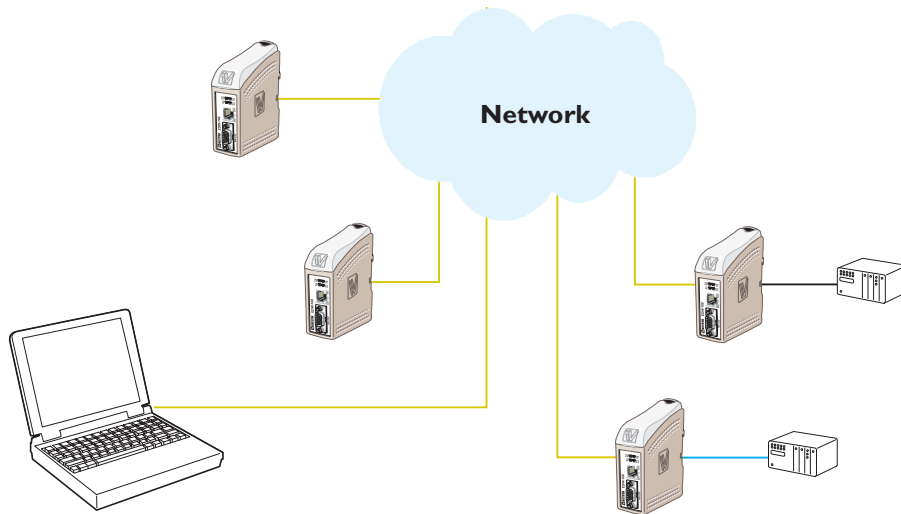


- ❑ RS-232 or RS-422/485
- ❑ Termination of RS-422/485 and fail safe functionality
- ❑ 10/100 Mbit/s Ethernet
- ❑ Special software modes for:
Single Client Mode, Dual TCP Connection
DSR Connection, RST on TCP Closure
RTS Control, Break Signalling, Last Calling
Packing Algorithm, Modbus Gateway
- ❑ Comprehensive diagnostics
- ❑ Total galvanic isolation & transient protection
- ❑ Industrial and Railway approval
- ❑ Delivered with COM port redirector software
- ❑ Redundant power and wide DC input range

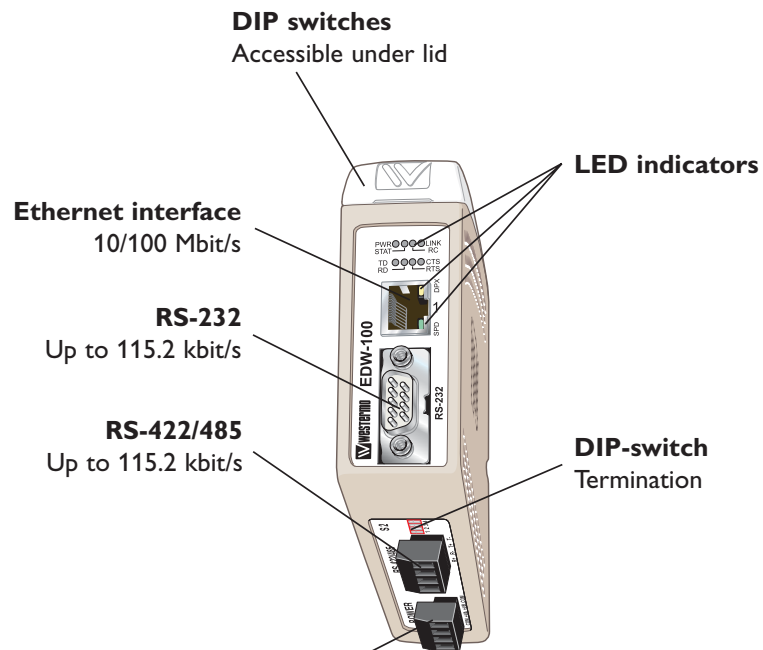
Field of application

The EDW-100 is a serial to Ethernet converter designed for use in harsh industrial environments allowing RS-232, RS-422 and RS-485 serial devices to communicate via TCP/IP Ethernet networks. EDW-100 supports UDP/TCP client or TCP server connections, the unit can also act as Modbus gateway. EDW-100 has an array of special modes allowing the unit to be used in a wide range of complex applications. Configuration is via web interface and by DIP switch. DIP switches allow the Ethernet connection to be fixed if auto-negotiation is not possible. The web interface which is password protected for security allows all other settings to be configured remotely. It is also possible to connect and configure the IP address locally via the serial port.

Application



Interfaces



Power

EDW-100	
Operating voltage	10–60 VDC (polarity independent)
Rated current	125 mA @ 24 VDC
Rated frequency	DC
Connection	Detachable screw terminal